

5

5

.2

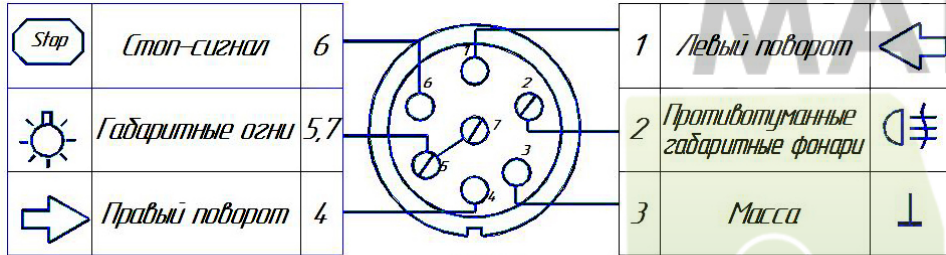


Рис. 2



«AvToS»

140400,

55

5022020095

+7-496-616-92-67;

+7-496-616-91-17

NISSAN Qashqai 2007 .

NS 13

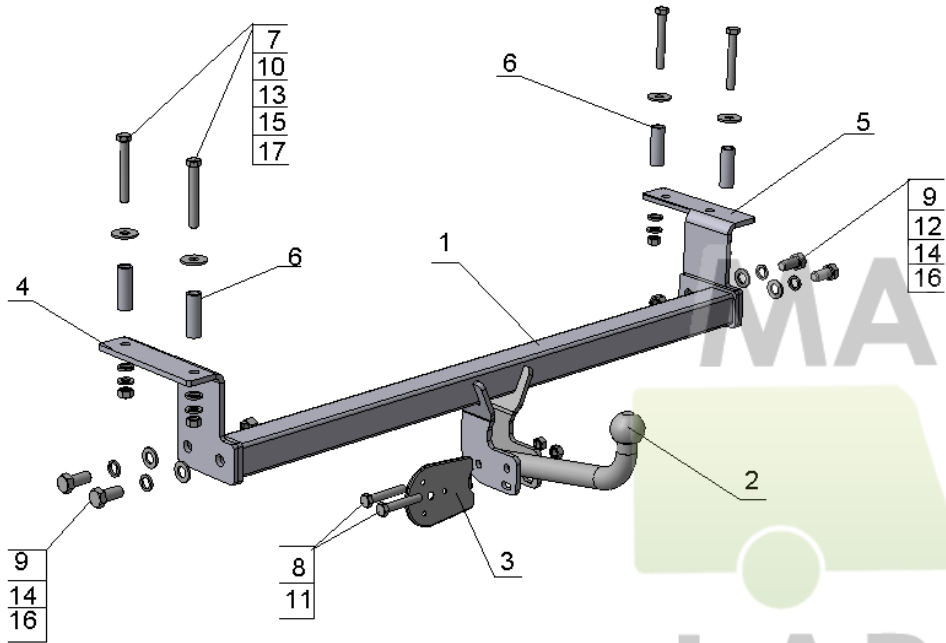
6

18

+7 (495) 6-693-693

4591-002-232512563-2004

www.magfarkop.ru
 magfarkop@yandex.ru



2

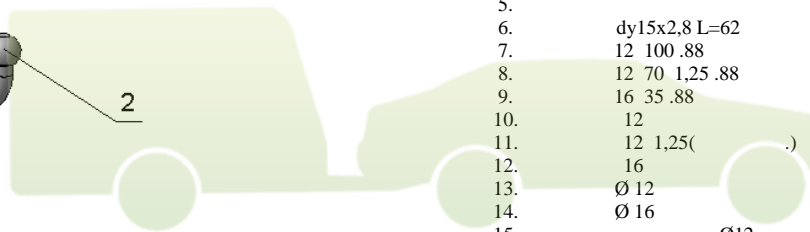
- 50
- 75
- 1200
- 13,6
- 300

9
14
16

8
11

.1

МАГАЗИН



ФАРКОП

+7 (495) 6-693-693

www.magfarkop.ru

magfarkop@yandex.ru

3

- | | | |
|-----|---------------|-----|
| 1. | | - 1 |
| 2. | | - 1 |
| 3. | | - 1 |
| 4. | | - 1 |
| 5. | | - 1 |
| 6. | dy15x2,8 L=62 | - 4 |
| 7. | 12 100.88 | - 4 |
| 8. | 12 70 1,25.88 | - 2 |
| 9. | 16 35.88 | - 4 |
| 10. | 12 | - 4 |
| 11. | 12 1,25() | - 2 |
| 12. | 16 | - 2 |
| 13. | Ø12 | - 4 |
| 14. | Ø16 | - 4 |
| 15. | Ø12 | - 4 |
| 16. | Ø16 | - 4 |
| 17. | Ø12 | - 4 |
| 18. | 5 35 | - 3 |
| 19. | 5 | - 3 |
| 20. | 300 | - 1 |
| 21. | | - 1 |
| 22. | | - 1 |
| 23. | | - 1 |
| 24. | | - 7 |
| 25. | | - 1 |

4

()
37.001.096-84.

- 1.1
- 1.2
- 1.3
- 1.4
- 1.5

80 /

1200
735 (75)

- .1
- .1
- 5
- .8
- .11

Ø18 (

Ø13 ;

.6

.4,5

.4,5;

30-35 ;